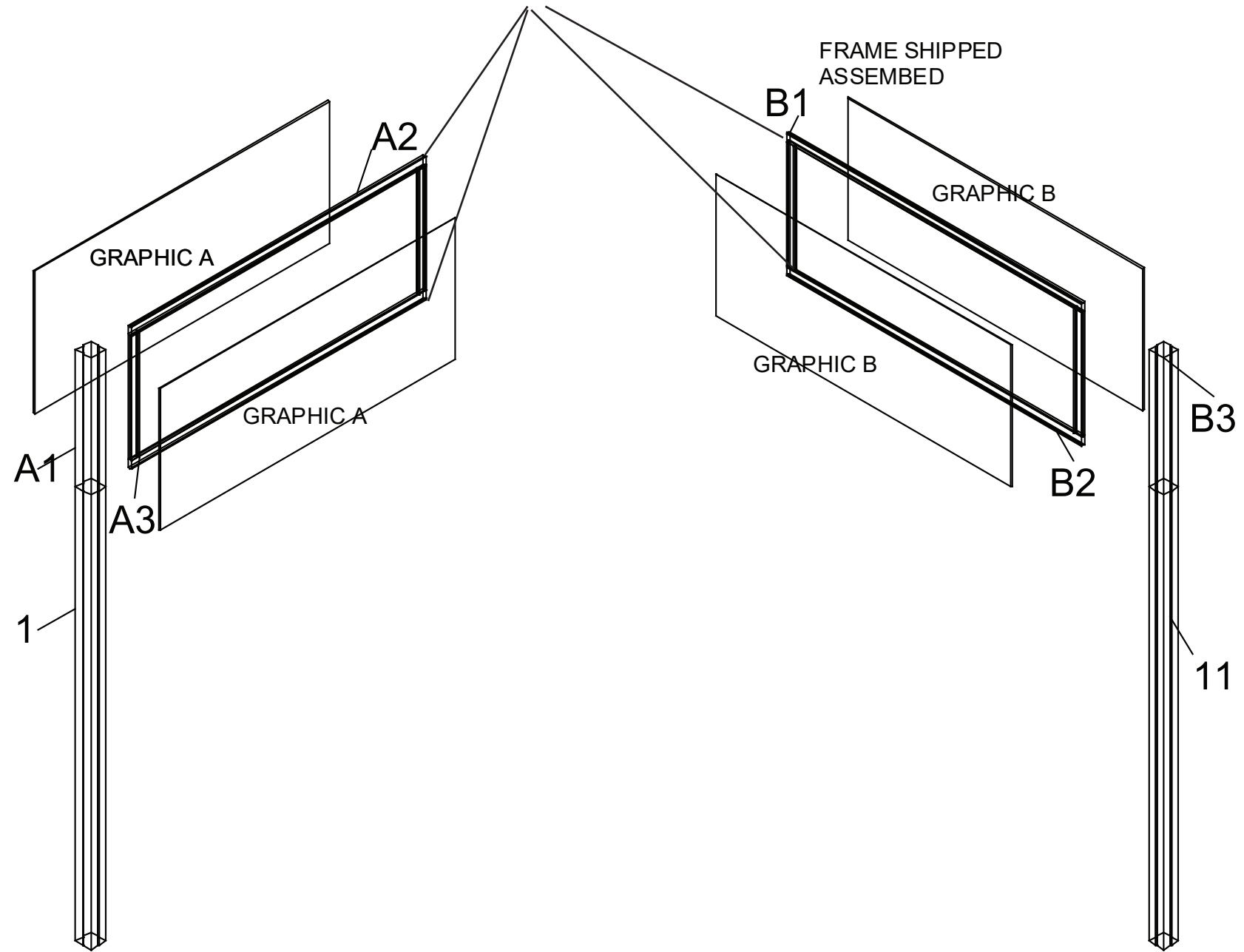
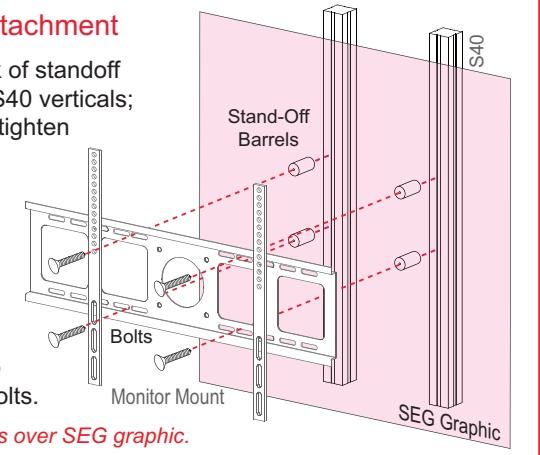
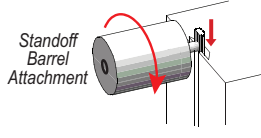


LOCK HEADER FRAMES
INTO HINGE ON TOWER
CUSTOM CORNER CONNECTORS



*** Monitor Mount Attachment**

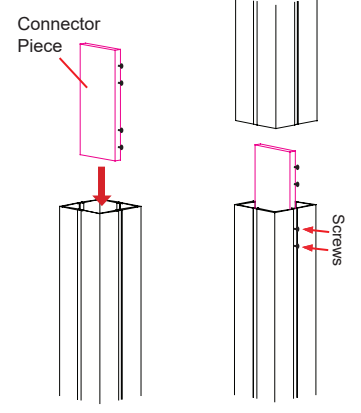
Slide connector on back of standoff barrels into grooves of S40 verticals; turn barrel clockwise to tighten in place.



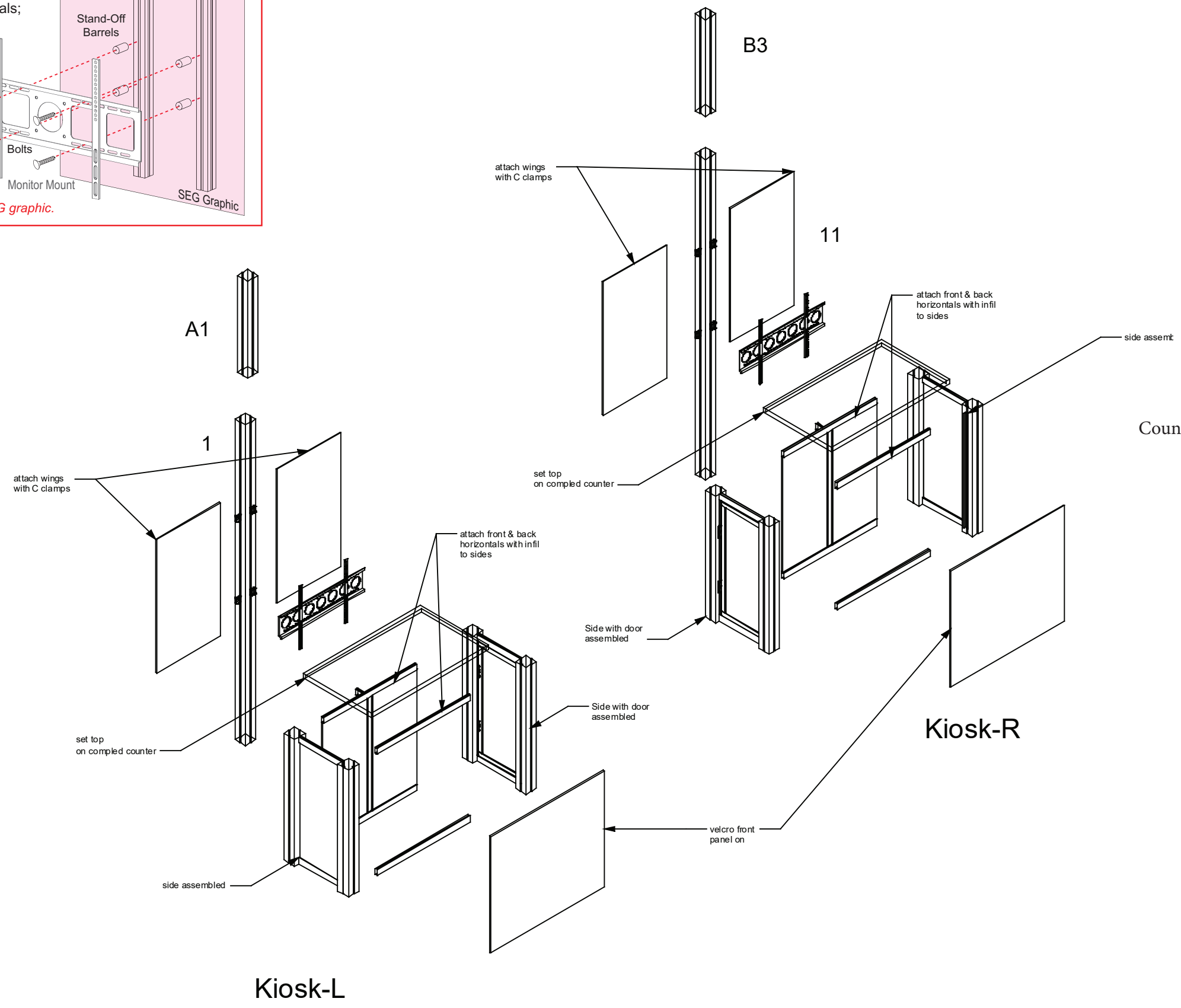
Attach Monitor Mount to standoff barrels using bolts.

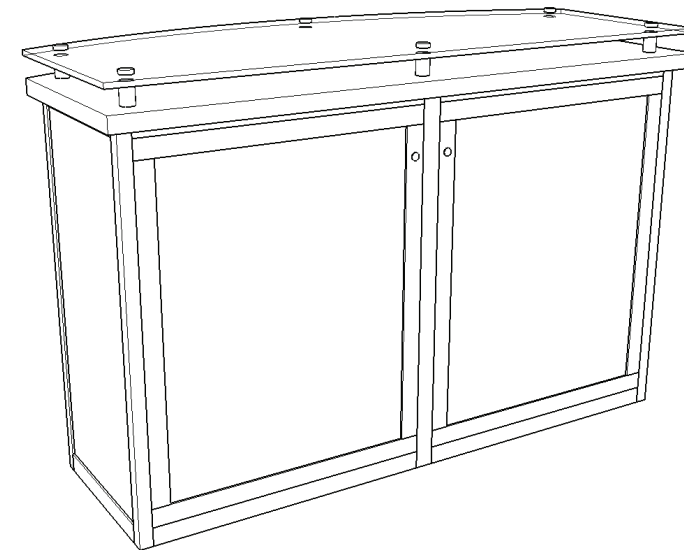
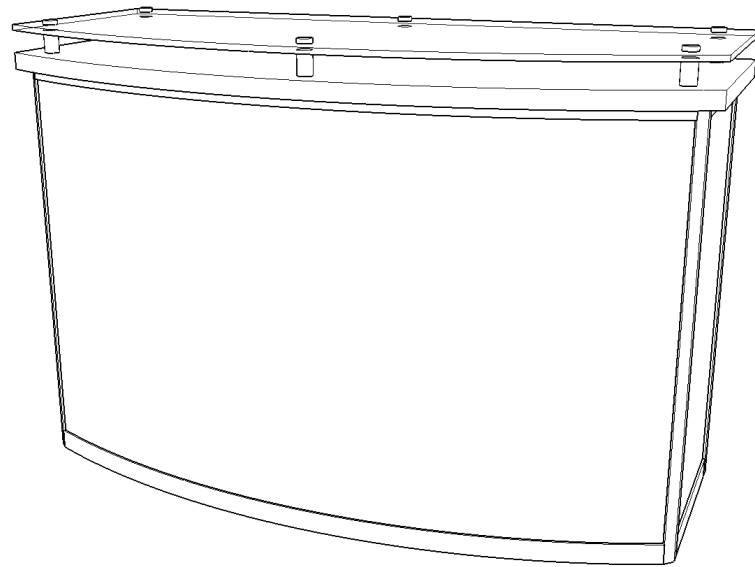
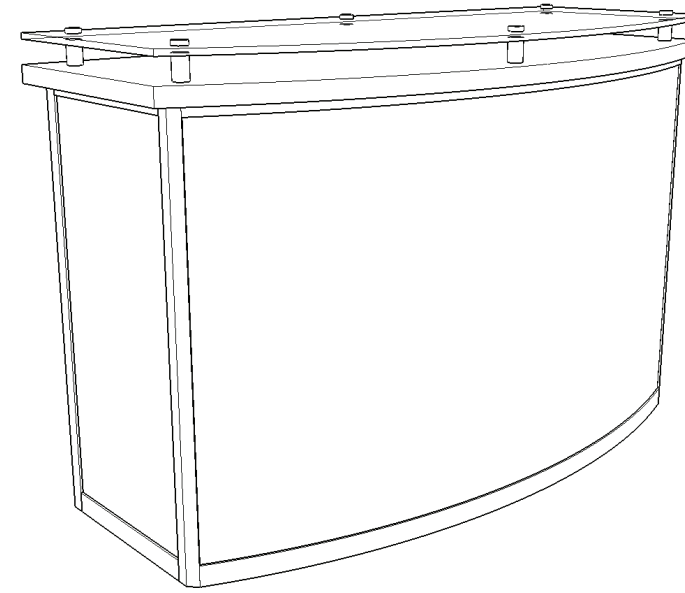
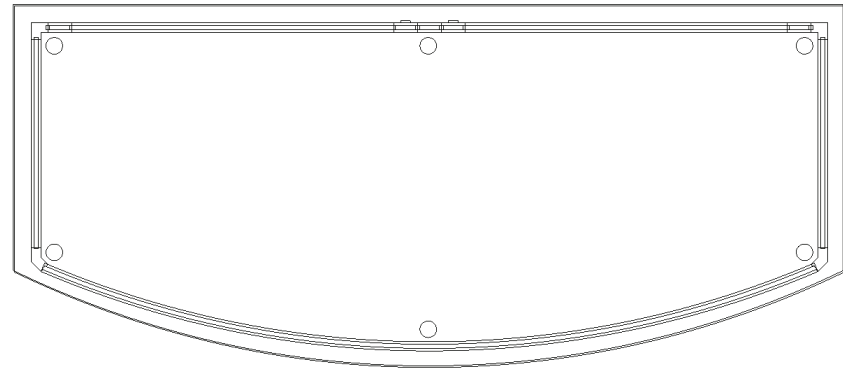
Note: Monitor mount installs over SEG graphic.

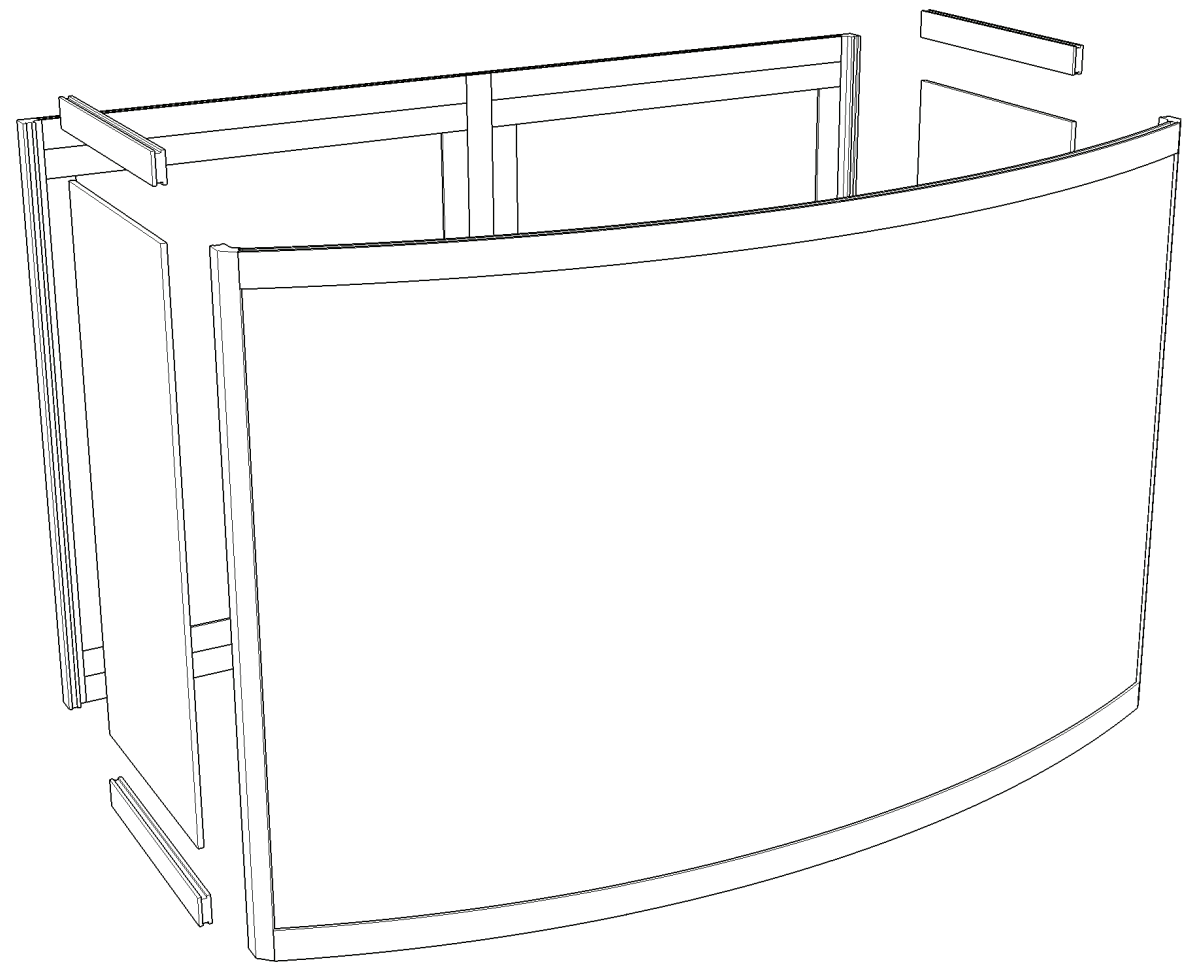
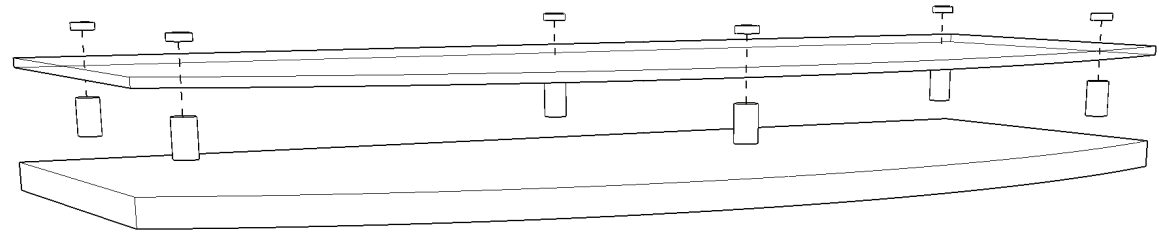
Connector Detail

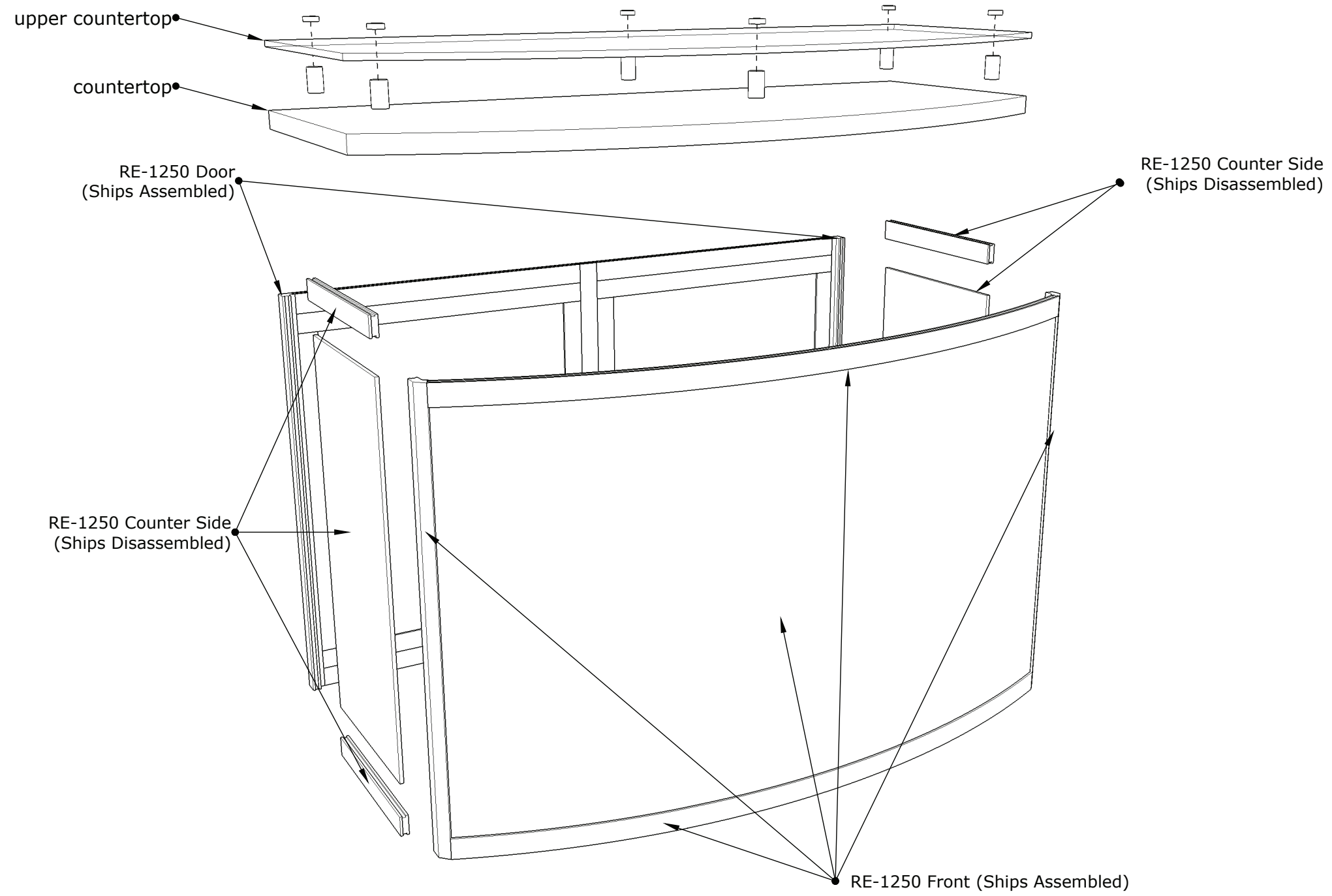


- 1) Slide connector piece into vertical extrusion and secure with screws.
 - 2) Slide upper vertical on connector and atop lower vertical, then secure with screws.
- *Keep all screws attached to connector piece when disassembling to prevent loss*





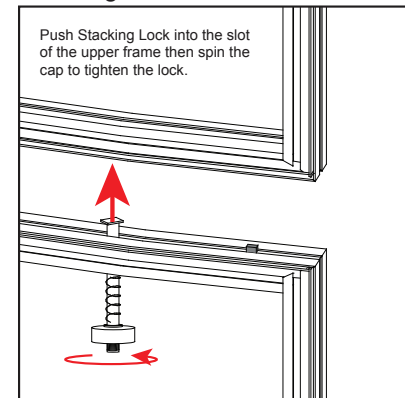




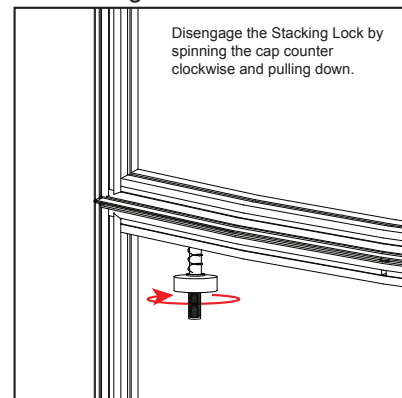
Gravitee Panels Stacking Assembly

- 1) Place one horizontal frame on top of the other lining up the center grooves.
- 2) Turn the pin clockwise to tighten the stacking lock into place.
Repeat for each pin.

Stacking



Unstacking



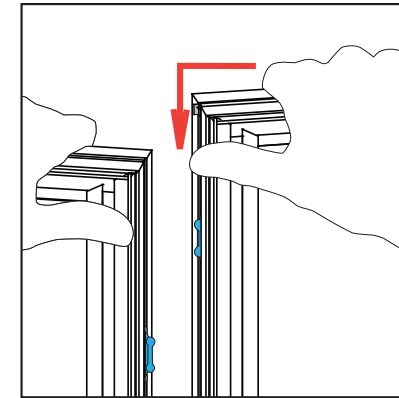
Stacking Disassembly

- 1) Turn the stacking lock counter clockwise to loosen the pin.
- 2) The whole spring on the stacking lock should be in view to release each frame. The spring should release the locking pin. If not, turn the pin until it disengages.

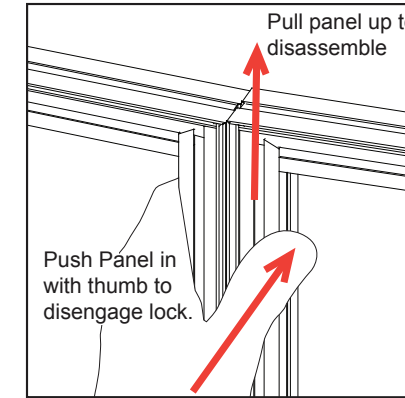
Gravitee Panels Side-by-Side Assembly

- 1) Frames: Place frames side-by-side with one higher than the other, then slide panel down to lock panels together and in place.
- 2) Corner Connections: Repeat Step 1 for installing corner connections to frames.

Assemble



Disassemble



Packing note for Gravitee panels:

NOTE:

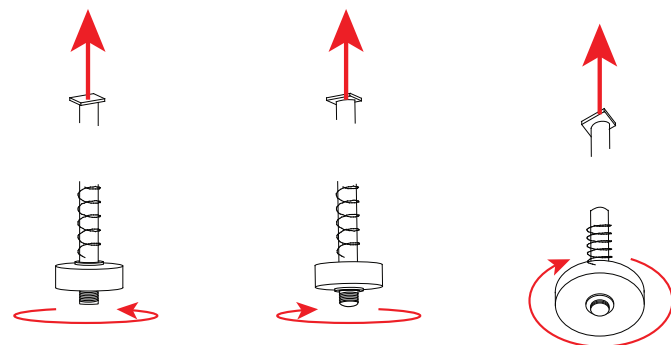
Gravitee panels are separated with small metal pieces for stability during shipment.

Keep all pieces for repacking. Do not throw away.



TS V4 Locks for Gravitee

Push Stacking Lock into the slot of the upper frame then spin the cap to tighten the lock.



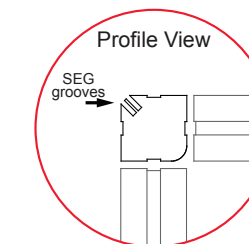
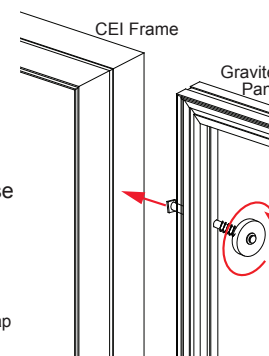
Rotate knob clockwise to tighten.

* Gravitee to CEI Frame Connection

Push lock into the channel of CEI extrusion.

Turn cap clockwise to tighten lock into place.

Note: Block on lock cap will secure in groove.



General Setup Instructions

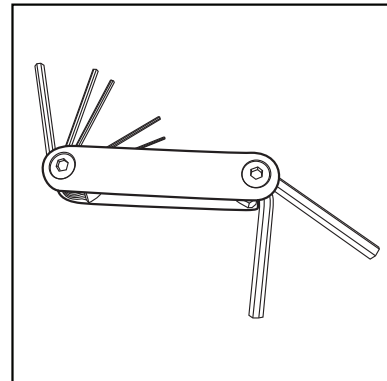
- Read entire setup instruction manual prior to unpacking parts and pieces.
- The setup instructions are created specifically for this configuration.
- Setup instructions are laid out sequentially in steps, including exploded views with detailed explanation for assembly.

Cleaning & Packing

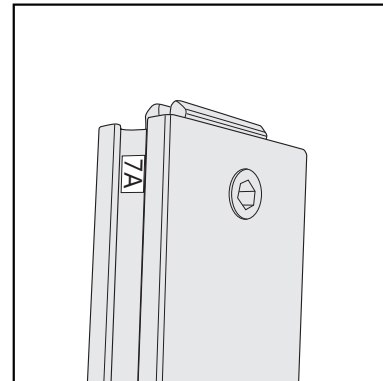
- For Cleaning Metal, Plex, & Laminate Parts: Use a **MILD NON-ABRASIVE** cleanser and soft cloth/paper towel to clean all surfaces.
- Keep exhibit components away from heat and prolonged sun exposure. **Heat and UV exposure will warp and fade components.**
- Retain all provided Packing Materials. All provided packing materials are for ease of repacking & component protection.

Disassembly

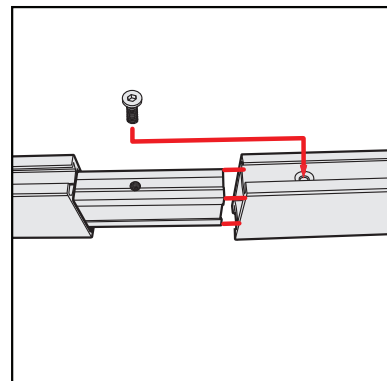
- For loss prevention, tighten all set screws and locks during disassembly.



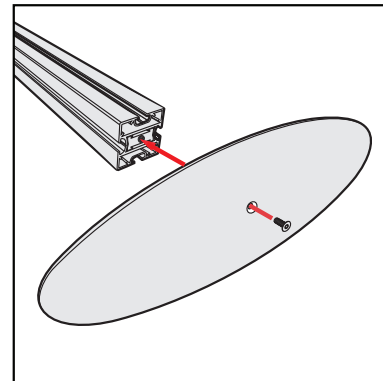
Hex Tool - Essential for Assembly



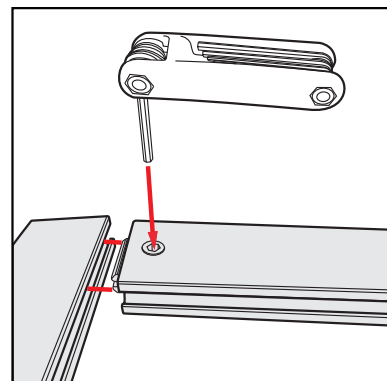
Part Identification - Numbering



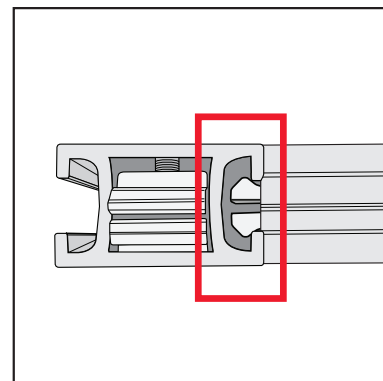
Spline Connection



Base Plate & Extrusion Connection



Extrusion & Lock Connection



Engaged Lock



WARNING



DO NOT USE POWER TOOLS

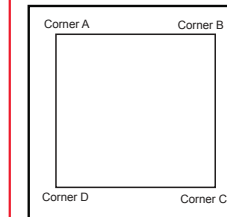


LADDERS OR LIFTS MAY BE REQUIRED

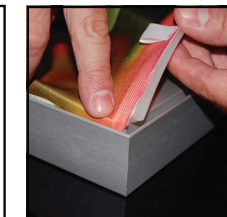


ALL CONNECTIONS MUST BE TIGHTLY SECURED

SEG Graphic Installation



It is important to first insert graphic into each alternate corner, then to the sides of the frame. If this is not done, graphic will not fit into the frame correctly.



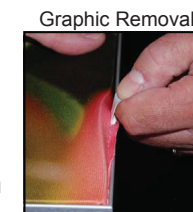
Step 1
Insert corner A. Turn edge of graphic so silicon welt is perpendicular to face of graphic. Insert narrow side of welt with fabric to outside into the channel. Repeat for other side of this corner.



Step 2
Repeat Step 1 for opposite corner C, then insert corner B, followed by corner D, to complete the installation of the corners.



Step 3
Once all corners are inserted, press one silicon edge into channel from corners and work toward the center. Make sure welt is fully inserted into channel. Continue until all sides are done. Smooth out edges of graphic.



Graphic Removal
To remove the graphic from the frame, locate the fabric pull tab. Gently pull up on the tab to remove the fabric.